

Million Rope WATER LEVEL MEASURE

GLASSFIBER

NARROW AND THICK MATERIAL OF TAPE IS HARD TO STICK INSIDE THE PIPE.

UNIQUE FUNCTION

BEFORE USE, YOU CAN TEST THE SENSITIVITY AND THE WIRE BREAKING

VERY SLIM PROBE

PROBE HAS ONLY 12MM OF DIAMETER SO VERY SUITABLE FOR THIN PIPE.

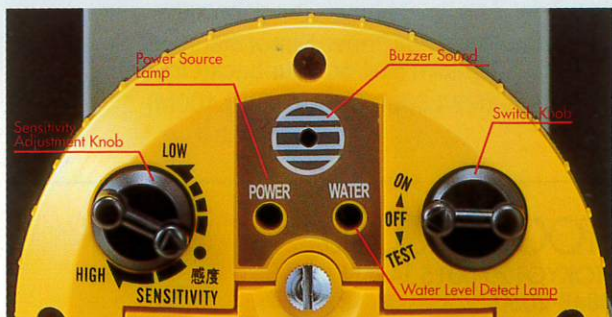
NON-EARTHED LINE

YOU CAN MEASURE THE WATER LEVEL WITHOUT THE EARTHED LINE.



PVC coated glassfiber measurement rope.

- Tape material: Glassfiber(Copper Wires at the tape edges).
- Tape Width: 6.2mm
- Tape Thickness: 1.9mm
- Graduation: 1cm throughout on one side.



RWL50M

RWL100M

Million Rope WATER LEVEL MEASURE

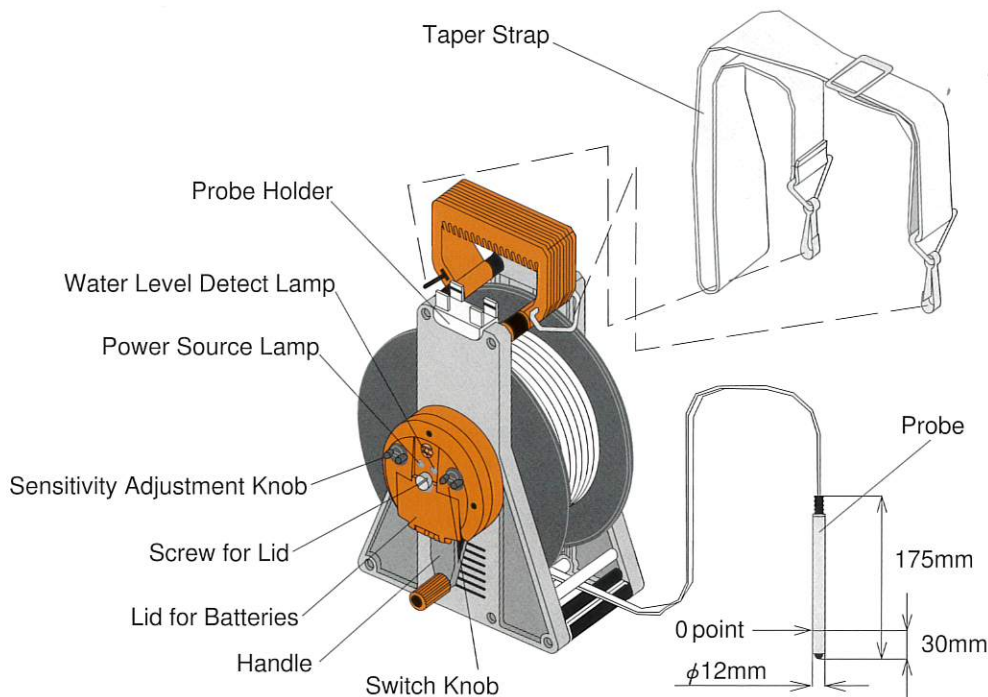


FEATURES

- You can measure the water level without the earthed line.
- You can avoid the stickiness to the pipe as the tape is narrow and thick made of glassfiber as its material.
- You can measure the water level smoothly as the sensitivity is adjustable against various kinds of water.
- You can test the wire breaking with its unique test function.



NAME OF EACH PART



You can use optionally supplied belts on your back for your easy moving.

- Tape: Width 6.2mm Thickness 1.9mm
- Graduation: 1cm throughout on one side
- Case: ABS.
- Probe: Stainless

- Power Source: UM-3 × 2pcs.
- Battery Life: Approx. 24 hours in consecutive use
- Accessories: Batteries/Taper Strap(Standard)
Special Belt on your back(Optional)
- Weight: 2kgs.(RWL50M), 3.1kgs.(RWL100M)